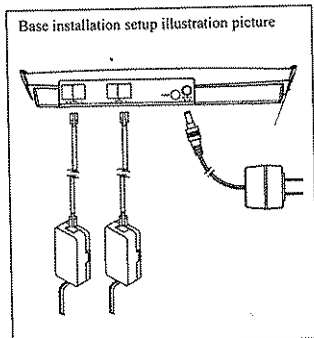


Quick Reference Guide for your EnGenius DuraFon 4X Industrial Cordless Phone System

Your EnGenius DuraFon 4X Industrial Cordless Phone System comes with one handset pre-programmed to the base unit. Follow the below instructions for a quick basic set-up. Full instructions are within the User's Manual.

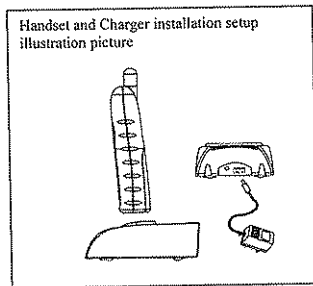
Base Station Installation

1. Install base station antenna.
The base station's antenna port has a **reverse-thread connector**; to install antenna or cable, turn counter-clockwise; to remove, turn clockwise. Improper installation may damage the connector.
2. Plug the transformer end of the base station AC/DC adaptor into a standard AC electrical power outlet, plug the other end into the "DC In" jack on the back of the base station.
 - a. The base adaptor's DC plug is larger in dimension than the charger's DC plug. The charger adaptor's DC plug will not fit into the base's DC In jack.
 - b. The base station's power supply (DC Adaptor) and telephone line should be plugged into a surge protector with phone line protection.
3. Plug one end of the phone cord into one of the 4 phone jacks marked L1 – L4 and plug the other end into the telephone outlet. Since DuraFon 4X has the built-in "line detection" feature, it is okay to plug in the phone jacks in random order.



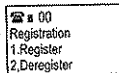
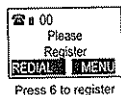
Handset and Charger Installation

1. Plug the transformer end of the Charger AC/DC adaptor into a standard AC electric power outlet, plug the other end into the "DC In" jack on the back of the Charging Cradle.
2. Install battery pack onto the handset.
3. Install handset antenna.
4. Place handset onto the charger front slot.
5. Fully charge the battery for three hours before use.
6. The phone system is now ready to perform basic functions such as making and receiving phone calls and intercom calls. No base station or handset programming is needed for basic operations.



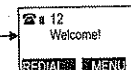
New Handset Registration

With new (Handset ID "00") handset, press Menu (right) soft key



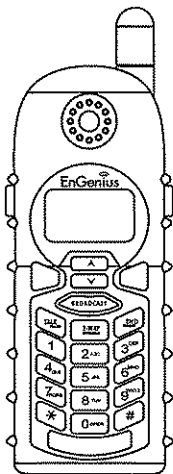
→ On the Base Unit, Press and hold the "Reg" button on base unit for 3 seconds

→ Press 1 to complete the process



2-digit handset ID appeared

Common Keys



Main Menu Function

TALK/ FLASH

This key is used to initiate an outgoing or answer an incoming call. This key also functions as the FLASH key in order to access call waiting (if subscribed to with your local telecom service provider) or some PBX features.

2-WAY/ INTERCOM

This key is used to initiate a private 2-WAY radio communication to another handset. During the TEXT MESSAGE mode, this key can be used to send out the text message.

BROADCAST

This key is used to initiate a half-duplex public announcement to all handsets, a group of handsets, or an individual handset.

END/OFF

This key is used to turn the handset ON or OFF by pressing and holding the key for 3 seconds. This key also ends a telephone or 2-WAY communication.

SOFT (Left/ Right)

There are two "SOFT" keys on the handset keypad. These keys are located just under the LCD and to either side of the up and down scrolling keys. The function of these keys will be indicated on the LCD screen and will change depending on the mode of the handset. The "SOFT" keys will be referred to as the LEFT and RIGHT soft keys.

UP and DOWN Scrolling

The scrolling keys are used to scroll records or menu options. The Phone Directory can be accessed directly from the idle mode's main screen by pressing one of the scrolling keys. Besides, this key can be used to adjust the voice volume during the conversation.

